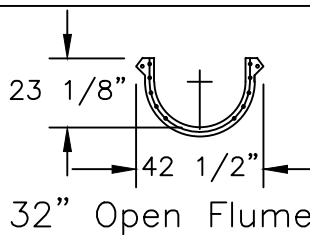
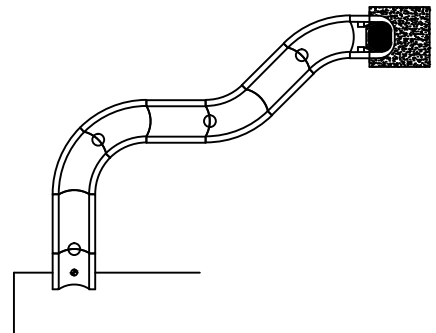


POOL RECOMMENDATIONS

Recommended Minimum Pool Area Reserved For Slide Operation Is 10' x 20' With Minimum Water Depth Of 42"



MIRROR MODEL: PS45L-S



BASE SPECIFICATIONS

Ride Length	44.53'
Centerline Length	40.69'
Starting Elevation	7'-0"
Slope	18.48%
Flume Width	32.00"
Centerline Radius	6'-0"
Designed Water Flow	200 GPM



CONFIDENTIAL – PROPERTY OF Paradise Slides, Inc.

<p>Paradise Slides, Inc</p> <p>295 Singing Tree Ln. – Cleveland GA 30528</p> <p>Phone (706)865-4849 Fax (855)827-7448</p>		<p>Standard Model PS45R-S</p>	
		<p>DWG SCALE 1/8" = 1'-0"</p>	<p>DRAWN BY TCP</p>
<p>REVISION 0</p>		<p>REVISION DATE --- --, ----</p>	<p>DWG. NO. PS45R-S</p>