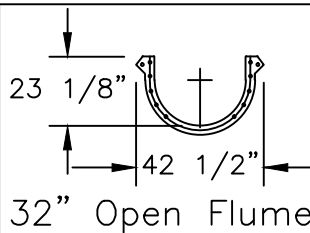
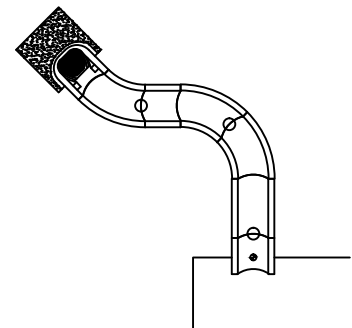


POOL RECOMMENDATIONS

Recommended Minimum Pool Area Reserved For Slide Operation Is 10' x 20' With Minimum Water Depth Of 42"



MIRROR MODEL: PS32L-S



BASE SPECIFICATIONS

Ride Length 31.76'
 Centerline Length 28.88'
 Starting Elevation 6'-0"
 Slope 23.27%
 Flume Width 32.00"
 Centerline Radius 6'-0"
 Designed Water Flow 200 GPM



CONFIDENTIAL – PROPERTY OF Paradise Slides, Inc.

Paradise Slides, Inc		Standard Model PS32R-S	
295 Singing Tree Ln. – Cleveland GA 30528		DWG SCALE 1/8" = 1'-0"	DRAWN BY TCP
Phone (706)865-4849 Fax (706)865-4890		REVISION 0	DWG. DATE April 14th, 2012
		REVISION DATE _____, ____	DWG. NO. PS32R-S