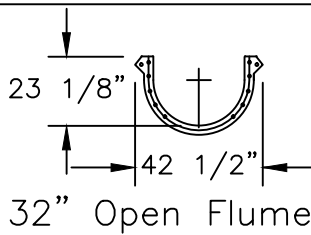
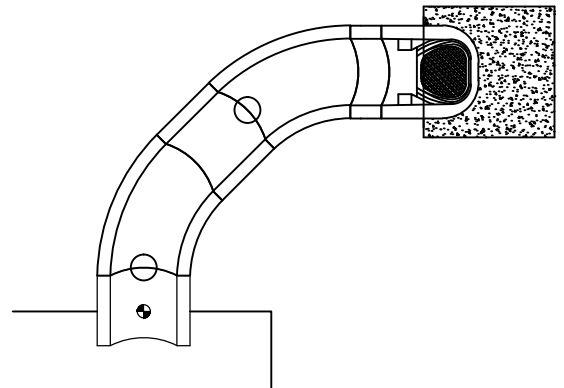


POOL RECOMMENDATIONS

Recommended Minimum Pool Area Reserved For Slide Operation Is 10' x 20' With Minimum Water Depth Of 42"



MIRROR MODEL: PS22T10L-S



BASE SPECIFICATIONS

Ride Length 22.20'
 Centerline Length 20.29'
 Starting Elevation 5'-11"
 Slope 35.15%
 Flume Width 32.00"
 Centerline Radius 6'-6"
 Designed Water Flow 200 GPM



CONFIDENTIAL – PROPERTY OF Paradise Slides, Inc.

Paradise Slides, Inc		Standard Model PS22T10R-S	
295 Singing Tree Ln. – Cleveland GA 30528		DWG SCALE 1/8" = 1'-0"	DRAWN BY TCP
Phone (706)865-4849 Fax (855)827-7448		REVISION 0	DWG. DATE August 29, 2016
		REVISION DATE --- --, ----	DWG. NO. PS22T10R-S