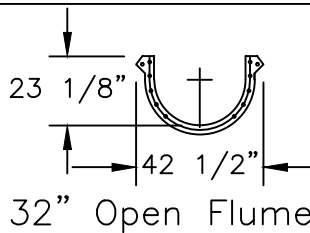


POOL RECOMMENDATIONS

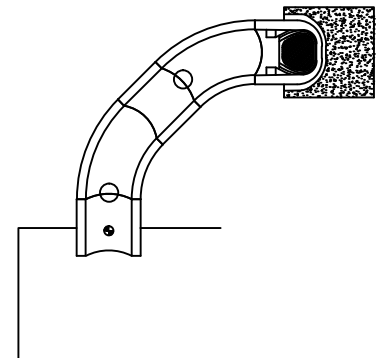
Recommended Minimum Pool Area Reserved For Slide Operation Is 10' x 20' With Minimum Water Depth Of 42"

BASE SPECIFICATIONS

Ride Length	20.96'
Centerline Length	19.05'
Starting Elevation	3'-8"
Slope	22.96%
Flume Width	32.00"
Centerline Radius	6'-0"
Designed Water Flow	200 GPM



MIRROR IMAGE MODEL: PS21L-S



CONFIDENTIAL – PROPERTY OF Paradise Slides, Inc.

Paradise Slides, Inc		Standard Model PS21R-S	
295 Singing Tree Ln. – Cleveland GA. 30528		DWG SCALE 1/8" = 1'-0"	DRAWN BY TCP
Phone (706)865-4849 Fax (706)865-4890		REVISION 0	REVISION DATE --- --, ----
		DWG. DATE April 14th, 2012	DWG. NO. PS21R-S